

XD 60™, XD 70™ and XD 80™

Motor Rewind Hose Reels

No Chains,
Safer for
Operators!



XD 70 >

XD 60 >



XD 80 >

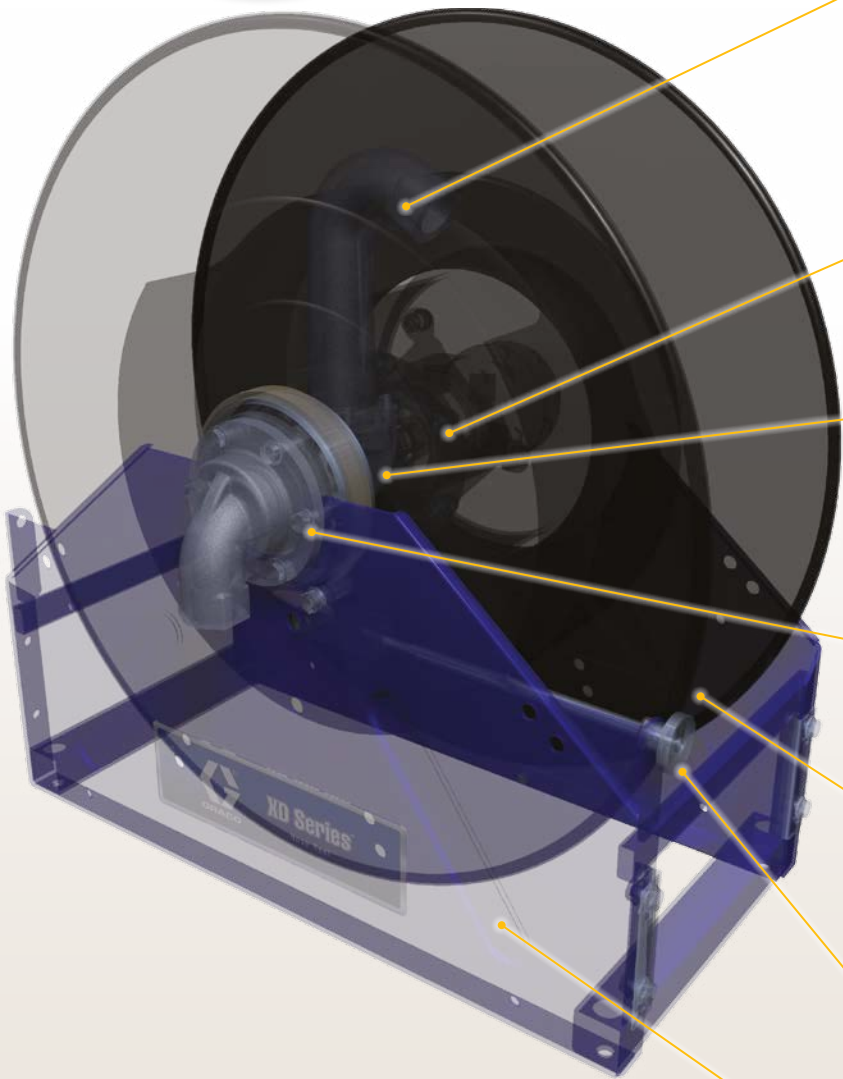
Designed with Safety in Mind

Drive motors have no chains, no maintenance.
No worries.

Safe, Versatile and Super Powered

Industry leading
7 YEAR WARRANTY
1 Year on wear components

We like to think of the XD Motor Rewind Reels as Super-Powered. The innovative design is packed with features to help you work safer, smarter and faster. We demand extensive product testing, often exceeding industry standards to ensure you get the best product on the market. Plus, it's all backed with an industry leading warranty and support after your purchase.



Easy Hose Installation

The outlet can be removed easily for hassle-free hose installation. Designed to minimize hose kinking for a more even and smoother wrap. Nickel plated fluid section to prevent corrosion for longer life.

Safe, Reliable Direct Drive and Gear Motors

Drive unit is clean and lubricated for life. No maintenance.

More Flow—Less Pressure Drop

A Graco exclusive—breakthrough swivel design (patent-pending) allows better flow to get work done faster. Materials are corrosion resistant and strong for long lasting performance.

Easy System Integration

Easily change the inlet and motor direction to give you the option of a right or left hand flow orientation.

Heavy-duty Welded Spool

Built to handle the weight of heavy hoses. Designed to surround and protect the drive unit from the elements to promote longer lasting, safer operation.

Easy Access Brake

Band clamp brake used to slow and stop hose retraction is adjustable for your application.

Rugged and Durable Body

Heavy-duty one piece welded frame is engineered to flex under extreme operating conditions and is stronger than bolted frames that can loosen with use. Individually painted and powder coated components have superior corrosion resistance over assembled and painted products.

XD Series Motorized Hose Reels

Power for Larger Diameter and Longer Hose Lengths

- Direct drive motor options include hydraulic, pneumatic and electric 12, 24, 115, and 230 volt
- Available in 41 bar low pressure and 207 bar medium pressure models
- Operating temperature range of -40 to 82° C*
- Adjustable band clamp brake used to slow and stop reel
- For Air, Water, Oil, Grease, Fuel Dispense, and Waste Oil Evacuation
- Optional roller guides and arms available as accessories
- Optional BSPP and BSPT conversion kits

*Not all options available in every configuration. Please see ordering guide for available sizes.
* Grease reels are rated for -18 to 82° C*



Frame Colour Options

Choose from white, yellow or metallic blue for a professional look.

XD 60 >



| | |
|----------------------|--|
| Hose Capacity | Up to ½ in x 30m, ¾ in x 30m, 1 in x 15m |
| Swivel Size | 1 inch npt inlet and outlet |

XD 70 >



| | |
|----------------------|--|
| Hose Capacity | Up to 1 in x 30m, 1.5 in x 20m, 2 in x 10m |
| Swivel Size | 1, 1.5 or 2 inch npt inlet and outlet |

XD 80 >



| | |
|----------------------|--|
| Hose Capacity | Up to 1 in x 46m, 1.5 in x 30m, 2 in x 15m |
| Swivel Size | 1, 1.5 or 2 inch npt inlet and outlet |

XD™ Series Reels

Spend Less Time and Money on Service

Tested tough to perform when you need it. Constructed with quality materials for long lasting performance to help reduce downtime. Changing motors is easy so you get up and running fast.



Top Quality Solutions for:

- Mining Operations
- Oil and Gas
- Heavy-duty Construction
- Agriculture
- Sewer and Waste Water
- Transportation

Engineered for Safety

Safe and Reliable Direct Drive Motor Design

XD Power Rewind motors are built to fit into the spool, protecting components from the elements and protecting users from pinch points that could cause injury. No chain to rust or break—nothing to lubricate, no maintenance.

Incomparable Versatility with Modular Design

Choose from multiple frame and motor combinations—mix and match to make quick work of configuring the reel for your application. Reels can easily be configured for left or right hand connections by switching the outlet and motor rotation to suit your needs. Order reels assembled, or choose frames and motor modules to maximize uptime for on-site installations.



Robust Electric and Pneumatic Motors

- Gear drive is enclosed and tucked into the spool to promote long life
- Nothing to lubricate for more efficient performance
- No exposed chains that can cause injury to the operator
- Easy change-out for less downtime in the field
- Pneumatic motor

Compact Hydraulic Motor

- Significantly narrower footprint fits in tighter spaces
- True 1-to-1 ratio direct drive provides more efficient operation
- Motor is protected by the spool for longer life
- No chain to lubricate

The Graco Advantage

XD Series Motorized Reels

- More uptime due to less maintenance
- Eliminates the chains which are dangerous to the operator
- No need to purchase additional chain guards
- Lubed for life, no need to lubricate drive
- Cleaner installations
- Hydraulic 1:1 ratio motor is more efficient and provides easier retraction over chain drive designs
- Easily stock components for faster, in the field service
- Simple to configure for right or left hand inlet
- Outlet minimizes hose kinking for an even, smooth wrap

Ordering Information

Hose Reel Ordering Information

Technical Specifications

| Applications | Model numbers by color | | | Description | Kg | Pressure bar | Recommended Hose Capacity Hose Diameter x Length m | | | Inlet/Outlet Size npt (f) | |
|--------------|------------------------|--------|--------|-------------|-------------------------------------|--------------|---|---------|---------|---------------------------|-----------|
| | Blue | Yellow | White | | | | | | | | |
| Air/Water | XD 60 | 24R419 | 24R420 | 24R421 | XD 6010, Pneumatic Motor | 56 | 41 | 1/2"x30 | 3/4"x30 | 1'x15 | 1 in/1 in |
| | | 24R414 | 24R415 | 24R416 | XD 6010, Hydraulic Motor | 45 | 41 | 1/2"x30 | 3/4"x30 | 1'x15 | |
| | | 24R404 | 24R405 | 24R406 | XD 6010, 12 VDC Elec. Motor, 1/2 HP | 60 | 41 | 1/2"x30 | 3/4"x30 | 1'x15 | |
| | | 24R407 | 24R408 | 24R409 | XD 6010, 24 VDC Elec. Motor, 1/2 HP | 60 | 41 | 1/2"x30 | 3/4"x30 | 1'x15 | |
| | | 24R410 | 24R412 | 24R413 | XD 6010, 115 VAC Elec. Motor | 60 | 41 | 1/2"x30 | 3/4"x30 | 1'x15 | |
| | XD 70 | 24R449 | 24R450 | 24R451 | XD7010 Pneumatic Motor | 55 | 41 | 1"x23 | 1"x30 | | 1 in/1 in |
| | | 24R446 | 24R447 | 24R448 | XD7010 Hydraulic Motor | 45 | 41 | 1"x23 | 1"x30 | | |
| | | 24R437 | 24R438 | 24R439 | XD7010 12 VDC Elec. Motor, 1/2 HP | 60 | 41 | 1"x23 | 1"x30 | | |
| | | 24R440 | 24R441 | 24R442 | XD7010 24 VDC Elec. Motor, 1/2 HP | 60 | 41 | 1"x23 | 1"x30 | | |
| | | 24R443 | 24R444 | 24R445 | XD7010 115 VAC Elec. Motor | 60 | 41 | 1"x23 | 1"x50 | | |
| | XD 80 | 24R531 | 24R532 | 24R533 | XD8010 Pneumatic Motor | 74 | 41 | 1"x46 | | | 1 in/1 in |
| | | 24R528 | 24R529 | 24R530 | XD8010 Hydraulic Motor | 64 | 41 | 1"x46 | | | |
| | | 24R519 | 24R520 | 24R521 | XD8010 12 VDC Elec. Motor, 1/2 HP | 78 | 41 | 1"x46 | | | |
| | | 24R522 | 24R523 | 24R524 | XD8010 24 VDC Elec Motor, 1/2 HP | 78 | 41 | 1"x46 | | | |
| | | 24R525 | 24R526 | 24R527 | XD8010 115 VAC Electric Motor | 78 | 41 | 1"x46 | | | |

Operating temperature for grease reels is -18° to 82° C, all others are -40° to 82° C

Ordering Information

| Hose Reel Ordering Information | | | | Technical Specifications | | | | | | | |
|--------------------------------|------------------------|--------|--------|--------------------------|------------------------------------|--------------|---------------------------|------------|----------|---------------------------|---------------|
| Applications | Model numbers by color | | | Description | Kg | Pressure bar | Recommended Hose Capacity | | | Inlet/Outlet Size npt (f) | |
| | Blue | Yellow | White | | | | Hose Diameter | x Length | m | | |
| Oil | XD 60 | 24R434 | 24R435 | 24R436 | XD6010, Pneumatic Motor | 56 | 207 | 1/2"x30 | 3/4"x30 | 1'x15 | 1 in/1 in |
| | | 24R431 | 24R432 | 24R433 | XD6010 ,Hydraulic Motor | 47 | 207 | 1/2"x30 | 3/4"x30 | 1'x15 | |
| | | 24R422 | 24R423 | 24R424 | XD6010, 12 VDC Elec. Motor, 1/2 HP | 61 | 207 | 1/2"x30 | 3/4"x30 | 1'x15 | |
| | | 24R425 | 24R426 | 24R427 | XD6010 24 VDC Elec. Motor, 1/2 HP | 61 | 207 | 1/2"x30 | 3/4"x30 | 1'x15 | |
| | | 24R428 | 24R429 | 24R430 | XD6010 115 VAC Electric Motor | 61 | 207 | 1/2"x30 | 3/4"x30 | 1'x15 | |
| | XD 70 | 24R464 | 24R465 | 24R466 | XD7010 Pneumatic Motor | 56 | 207 | 1"x23 | 1"x30 | | |
| | | 24R461 | 24R462 | 24R463 | XD7010 Hydraulic Motor | 46 | 207 | 1"x23 | 1"x30 | | |
| | | 24R452 | 24R453 | 24R454 | XD7010 12 VDC Elec. Motor, 1/2 HP | 60 | 207 | 1"x23 | 1"x30 | | |
| | | 24R455 | 24R456 | 24R457 | XD7010 24 VDC Elec. Motor, 1/2 HP | 60 | 207 | 1"x23 | 1"x30 | | |
| | | 24R458 | 24R459 | 24R460 | XD7010 115 VAC Electric Motor | 60 | 207 | 1"x23 | 1"x30 | | |
| | XD 80 | 24R546 | 24R547 | 24R548 | XD8010 Pneumatic Motor | 75 | 207 | 1"x46 | | | |
| | | 24R543 | 24R544 | 24R545 | XD8010 Hydraulic Motor | 65 | 207 | 1"x46 | | | |
| | | 24R534 | 24R535 | 24R536 | XD8010 12 VDC Elec. Motor, 1/2 HP | 79 | 207 | 1"x46 | | | 1 in/1 in |
| | | 24R537 | 24R538 | 24R539 | XD8010 24 VDC Elec Motor, 1/2 HP | 79 | 207 | 1"x46 | | | |
| | | 24R540 | 24R541 | 24R542 | XD8010 115 VAC Electric Motor | 79 | 207 | 1"x46 | | | |
| Waste Oil Evac. | XD 60 | 24R419 | 24R420 | 24R421 | XD6010 Pneumatic Motor | 56 | 41 | 1'x15 | | | 1 in/1 in |
| | | 24R414 | 24R415 | 24R416 | XD6010 Hydraulic Motor | 45 | 41 | 1'x15 | | | |
| | | 24R404 | 24R405 | 24R406 | XD6010 12 VDC Elec. Motor, 1/2 HP | 60 | 41 | 1'x15 | | | |
| | | 24R407 | 24R408 | 24R409 | XD6010 24 VDC Elec Motor, 1/2 HP | 60 | 41 | 1'x15 | | | |
| | | 24R410 | 24R412 | 24R413 | XD6010 115 VAC Electric Motor | 60 | 41 | 1'x15 | | | |
| | XD 70 | 24R516 | 24R517 | 24R518 | XD7015, Pneumatic Motor | 56 | 41 | 1.25"x10,5 | 1.25"x15 | 1.5"x15 | 1.5 in/1.5 in |
| | | 24R512 | 24R513 | 24R515 | XD7015 Hydraulic Motor | 46 | 41 | 1.25"x10,5 | 1.25"x15 | 1.5"x15 | |
| | | 24R503 | 24R504 | 24R505 | XD7015 12 VDC Elec. Motor, 1/2 HP | 60 | 41 | 1.25"x10,5 | 1.25"x15 | 1.5"x15 | |
| | | 24R506 | 24R507 | 24R508 | XD7015 24 VDC Elec. Motor, 1/2 HP | 60 | 41 | 1.25"x10,5 | 1.25"x15 | 1.5"x15 | |
| | | 24R509 | 24R510 | 24R511 | XD7015 115 VAC Electric Motor | 60 | 41 | 1.25"x10,5 | 1.25"x15 | 1.5"x15 | |

Operating temperature for grease reels is -18° to 82° C, all others are -40° to 82° C

Ordering Information

Hose Reel Ordering Information

Technical Specifications

| Applications | Model numbers by color | | | Description | Kg | Pressure bar | Recommended Hose Capacity | | | Inlet/Outlet Size npt (f) | |
|--------------|------------------------|--------|--------|--------------------------------------|--------------------------------------|--------------|---------------------------|----------|---------|---------------------------|---------------|
| | Blue | Yellow | White | | | | Hose Diameter x Length m | | | | |
| Fuel | XD 60 | 24R419 | 24R420 | 24R421 | XD6010 Pneumatic Motor | 56 | 41 | 1/2"x30 | 3/4"x30 | 1'x15 | 1 in/1 in |
| | | 24R414 | 24R415 | 24R416 | XD6010 Hydraulic Motor | 45 | 41 | 1/2"x30 | 3/4"x30 | 1'x15 | |
| | | 24R404 | 24R405 | 24R406 | XD6010 12 VDC Electric Motor, 1/2 HP | 60 | 41 | 1/2"x30 | 3/4"x30 | 1'x15 | |
| | | 24R407 | 24R408 | 24R409 | XD6010 24 VDC Electric Motor, 1/2 HP | 60 | 41 | 1/2"x30 | 3/4"x30 | 1'x15 | |
| | | 24R410 | 24R412 | 24R413 | XD6010 115 VAC Electric Motor | 60 | 41 | 1/2"x30 | 3/4"x30 | 1'x15 | |
| | XD 70 | 24R449 | 24R450 | 24R451 | XD7010 Pneumatic Motor | 55 | 41 | 1"x23 | 1"x30 | | 1 in/1 in |
| | | 24R446 | 24R447 | 24R448 | XD7010 Hydraulic Motor | 45 | 41 | 1"x23 | 1"x30 | | |
| | | 24R437 | 24R438 | 24R439 | XD7010 12 VDC Electric Motor, 1/2 HP | 60 | 41 | 1"x23 | 1"x30 | | |
| | | 24R440 | 24R441 | 24R442 | XD7010 24 VDC Electric Motor, 1/2 HP | 60 | 41 | 1"x23 | 1"x30 | | |
| | | 24R443 | 24R444 | 24R445 | XD7010 115 VAC Electric Motor | 60 | 41 | 1"x23 | 1"x30 | | |
| | XD 70 | 24R516 | 24R517 | 24R518 | XD7015 Pneumatic Motor | 56 | 41 | 1.25"x15 | 1.5"x15 | 1.5"x20 | 1.5 in/1.5 in |
| | | 24R512 | 24R513 | 24R515 | XD7015 Hydraulic Motor | 46 | 41 | 1.25"x15 | 1.5"x15 | 1.5"x20 | |
| | | 24R503 | 24R504 | 24R505 | XD7015 12 VDC Electric Motor, 1/2 HP | 60 | 41 | 1.25"x15 | 1.5"x15 | 1.5"x20 | |
| | | 24R506 | 24R507 | 24R508 | XD7015 24 VDC Electric Motor, 1/2 HP | 60 | 41 | 1.25"x15 | 1.5"x15 | 1.5"x20 | |
| | | 24R509 | 24R510 | 24R511 | XD7015 115 VAC Electric Motor | 60 | 41 | 1.25"x15 | 1.5"x15 | 1.5"x20 | |
| | XD 70 | 24T023 | 24T024 | 24T025 | XD7020 Pneumatic Motor | 58 | 41 | 2"x10 | | | 2 in/2 in |
| | | 24T020 | 24T021 | 24T022 | XD7020 Hydraulic Motor | 48 | 41 | 2"x10 | | | |
| | | 24T011 | 24T012 | 24T013 | XD7020 12 VDC Electric Motor, 1/2 HP | 62 | 41 | 2"x10 | | | |
| 24T014 | | 24T015 | 24T016 | XD7020 24 VDC Electric Motor, 1/2 HP | 62 | 41 | 2"x10 | | | | |
| 24T017 | | 24T018 | 24T019 | XD7020 115 VAC Electric Motor | 62 | 41 | 2"x10 | | | | |

Operating temperature for grease reels is -18° to 82° C, all others are -40° to 82° C

Ordering Information

| Hose Reel Ordering Information | | | | Technical Specifications | | | | | | |
|--------------------------------|------------------------|--------|--------|--------------------------|--------------------------------------|--------------|---------------------------|------------|---------------------------|---------------|
| Applications | Model numbers by color | | | Description | Kg | Pressure bar | Recommended Hose Capacity | | Inlet/Outlet Size npt (f) | |
| | Blue | Yellow | White | | | | Hose Diameter | x Length m | | |
| Fuel | XD 80 | 24R531 | 24R532 | 24R533 | XD8010 Pneumatic Motor | 74 | 41 | 1"x46 | | 1 in/1 in |
| | | 24R528 | 24R529 | 24R530 | XD8010 Hydraulic Motor | 64 | 41 | 1"x46 | | |
| | | 24R519 | 24R520 | 24R521 | XD8010 12 VDC Electric Motor, 1/2 HP | 78 | 41 | 1"x46 | | |
| | | 24R522 | 24R523 | 24R524 | XD8010 24 VDC Elec., Motor, 1/2 HP | 78 | 41 | 1"x46 | | |
| | | 24R525 | 24R526 | 24R527 | XD8010 115 VAC Electric, Motor | 78 | 41 | 1"x46 | | |
| | XD 80 | 24R561 | 24R562 | 24R563 | XD8015 Pneumatic Motor | 75 | 41 | 1.5"x23 | 1.5"x50 | 1.5 in/1.5 in |
| | | 24R558 | 24R559 | 24R560 | XD8015 Hydraulic Motor | 65 | 41 | 1.5"x23 | 1.5"x50 | |
| | | 24R549 | 24R550 | 24R551 | XD8015 12 VAC Electric Motor, 1/2 HP | 79 | 41 | 1.5"x23 | 1.5"x50 | |
| | | 24R552 | 24R553 | 24R554 | XD8015 24 VAC Electric Motor, 1/2 HP | 79 | 41 | 1.5"x23 | 1.5"x50 | |
| | | 24R555 | 24R556 | 24R557 | XD8015 115 VAC Electric Motor | 79 | 41 | 1.5"x23 | 1.5"x50 | |
| | XD 80 | 24R576 | 24R577 | 24R578 | XD8020 Pneumatic Motor | 76 | 41 | 2"x15 | | 2 in/2 in |
| | | 24R573 | 24R574 | 24R575 | XD8020 Hydraulic Motor | 67 | 41 | 2"x15 | | |
| | | 24R564 | 24R565 | 24R566 | XD8020 12 VDC Electric Motor, 1/2 HP | 81 | 41 | 2"x15 | | |
| | | 24R567 | 24R568 | 24R569 | XD8020 24 VDC Electric Motor, 1/2 HP | 81 | 41 | 2"x15 | | |
| | | 24R570 | 24R571 | 24R572 | XD8020 115 VAC Electric Motor | 81 | 41 | 2"x15 | | |
| Grease- Bulk Transfer | XD 60 | 24R434 | 24R435 | 24R436 | XD6010 Pneumatic Motor | 75 | 207 | 1"x15 | | 1 in/1 in |
| | | 24R431 | 24R432 | 24R433 | XD6010 Hydraulic Motor | 47 | 207 | 1"x15 | | |
| | | 24R422 | 24R423 | 24R424 | XD6010 12 VDC Electric Motor, 1/2 HP | 61 | 207 | 1"x15 | | |
| | | 24R425 | 24R426 | 24R427 | XD6010 24 VDC Electric Motor, 1/2 HP | 61 | 207 | 1"x15 | | |
| | | 24R428 | 24R429 | 24R430 | XD6010 115 VAC Electric Motor | 61 | 207 | 1"x15 | | |

Operating temperature for grease reels is -18° to 82° C, all others are -40° to 82° C

Ordering Information

Hose Reel Ordering Information

Technical Specifications

| Applications | Model numbers by colour | | | Description | Weight kg | Pressure bar | Recommended Hose Capacity | | | Inlet/Outlet Size npt (f) | |
|--|-------------------------|--------|--------|-------------|-----------------------------|--------------|---------------------------|------------|---------|---------------------------|---------------|
| | Blue | Yellow | White | | | | Hose Diameter | x Length m | | | |
| Reel Frames Only (Pair with Motor Assemblies) | | | | | | | | | | | |
| Air/Water, Fuel | XD 60 | 24T104 | 24T105 | 24T106 | XD6010 Bare Reel, No Motor | 39 | 41 | 1/2"x30 | 3/4"x30 | 1"x15 | 1 in/1 in |
| | XD 70 | 24T110 | 24T111 | 24T112 | XD7010 Bare Reel, No Motor | 39 | 41 | 1"x23 | 1"x30 | | |
| | XD 80 | 24T122 | 24T123 | 24T124 | XD8010, Bare Reel, No Motor | 58 | 41 | 1"x46 | | | |
| Fuel | XD 70 | 24T116 | 24T117 | 24T118 | XD7015, Bare Reel, No Motor | 39 | 41 | 1.25"x15 | 1.5"x15 | 1.5"x20 | 1.5 in/1.5 in |
| | XD 70 | 24T119 | 24T120 | 24T121 | XD7020, Bare Reel, No Motor | 41 | 41 | 2"x10 | | | 2 in/2 in |
| | XD 80 | 24T128 | 24T129 | 24T130 | XD8015 Bare Reel, No Motor | 58 | 41 | 1.5"x23 | 1.5"x30 | | 1.5 in/1.5 in |
| | XD 80 | 24T131 | 24T132 | 24T133 | XD8020 Bare Reel, No Motor | 60 | 41 | 2"x15 | | | 2 in/2 in |
| Waste Oil Evac | XD 60 | 24T104 | 24T105 | 24T106 | XD6010 Bare Reel, No Motor | 39 | 41 | 1"x15 | | | 1 in/1 in |
| | XD 70 | 24T116 | 24T117 | 24T118 | XD7015, Bare Reel, No Motor | 39 | 41 | 1.25"x15 | 1.5"x15 | | 1.5 in/1.5 in |
| Oil | XD 60 | 24T107 | 24T108 | 24T109 | XD6010, Bare Reel, No Motor | 40 | 207 | 1/2"x30 | 3/4"x30 | 1"x15 | 1 in/1 in |
| | XD 70 | 24T113 | 24T114 | 24T115 | XD7010, Bare Reel, No Motor | 39 | 207 | 1"x23 | 1"x30 | | |
| | XD 80 | 24T125 | 24T126 | 24T127 | XD8010, Bare Reel, No Motor | 58 | 207 | 1"x46 | | | |
| Grease | XD 60 | 24T107 | 24T108 | 24T109 | XD6010, Bare Reel, No Motor | 39 | 41 | 1/2"x30 | 3/4"x30 | 1"x15 | |

Operating temperature for grease reels is -18° to 82° C, all others are -40° to 82° C

Motor Assemblies (Pair with Frame Only Models)

| | |
|--------|--|
| 24T886 | 12 VDC, 1/2 HP motor assembly, reversible type. For installing motor to bare XD frame |
| 24T888 | 24 VDC, 1/2 HP motor assembly, reversible type. For installing motor to bare XD frame |
| 24T889 | 115 VAC, 0.40 HP, motor assembly, reversible type. For installing motor to bare XD frame |
| 24T890 | 230 VAC, 1/2 HP, motor assembly, reversible type. For installing motor to bare XD frame |
| 24T891 | Hydraulic motor assembly, reversible type. For installing motor to bare XD reel |
| 24T892 | Pneumatic motor assembly, reversible type. For installing motor to bare XD reel |

Accessories

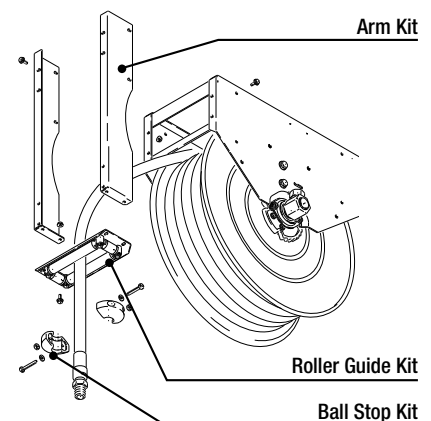
| Inlet Hose Kits | Pressure bar | Length mm | Hose I.D. / Inlet | |
|-----------------|------------------------------------|-----------|-------------------|----------------|
| 24R111 | Inlet kit for air/water and oil | 88 | 711 | 1 in. npt(m) |
| 24R112 | Inlet kit for waste oil evacuation | 17 | 711 | 1 in. npt(m) |
| 24R115 | Inlet kit for fuel | 17 | 711 | 1 in. npt(m) |
| 24R117 | Inlet kit for fuel | 10 | 711 | 1.5 in. npt(m) |
| 24R118 | Inlet kit for fuel | 10 | 711 | 2 in. npt(m) |

Ball Stop Kits

| | |
|--------|------------------|
| 237873 | For 3/4 in hose |
| 237874 | For 1 in hose |
| 24R060 | For 1.25 in hose |
| 24R061 | For 1.5 in hose |

Hose Guides

| | |
|--------|---|
| 24T327 | Stainless Steel Hose Guide for XD 60 (+ Arm Kit: 24T332) |
| 24T328 | Stainless Steel Hose Guide for XD 70 (+ Arm Kit: 24T333) |
| 24T329 | Stainless Steel Hose Guide for XD 80 (+ Arm Kit: 24T334) |
| 24R072 | Roller Guide Kit with Bracket for XD 60 (+ Arm Kit: 24T335) |
| 24T330 | Roller Guide Kit with Bracket for XD 70 (+ Arm Kit: 24T336) |
| 24T331 | Roller Guide Kit with Bracket for XD 80 (+ Arm Kit: 24T337) |

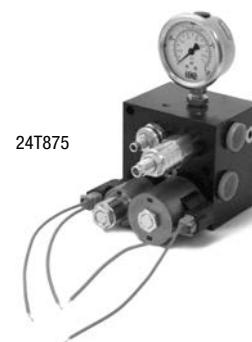


Ordering Information

Accessories

| Controls | |
|----------|---|
| 24T875 | Hydraulic control module for electric over hydraulic control of XD 60/70/80 hydraulic powered hose reels, 12 VDC, three position, four-way valve |
| 24T876 | Hydraulic control module for electric over hydraulic control of XD 60/70/80 hydraulic powered hose reels, 24 VDC, three position, four-way valve |
| 127224 | Hydraulic control module for electric over hydraulic control of XD 60/70/80 hydraulic powered hose reels, 12V, includes switch. 3 Position, 4 way valve |
| 127225 | Hydraulic control module for electric over hydraulic control of XD 60/70/80 hydraulic powered hose reels, 24V includes switch. 3 Position, 4 way valve |
| 127271 | Pneumatic valve to control XD 60/70/80 pneumatic powered hose reels. Two position, three-way valve |
| 127214 | Momentary Push-Button On/Off switch with red rubber cap. Use for 12 or 24 VDC |
| 127217 | Hazardous location push button On/Off switch. Use for 12 and 24 VDC |
| 127223 | Hazardous location push button On/Off switch. Use for 115 and 220 VAC |
| 127218 | Hazardous location junction box |
| 127219 | 12 VDC intermittent duty solenoid recommended for activating rewind on 12 VDC motor |
| 127220 | 24 VDC intermittent duty solenoid recommended for activating rewind on 24 VDC motor |
| 127221 | Manual reset push button circuit breaker, 50 amp rating. |
| 127222 | Manual reset push button circuit breaker, 25 amp rating. |

| Hoses | | Pressure bar | Hose I.D. in. | |
|-----------------|---------------------------|---|---------------|------|
| Fuel | 24R102 | 1" x 15m coupled fuel hose | 17 | 1 |
| | 24R103 | 1" x 23m coupled fuel hose | 17 | 1 |
| | 24R106 | 1" x 30m coupled fuel hose | 17 | 1 |
| | 24T252 | 1" x 46m coupled fuel hose | 17 | 1 |
| | 24R108 | 1.25" x 10,5m coupled fuel hose | 17 | 1.25 |
| | 24R110 | 1.25" x 15m coupled fuel hose | 17 | 1.25 |
| | 24R114 | 1.5" x 15m coupled fuel hose | 11 | 1.5 |
| | 24T253 | 1.5" x 30m coupled fuel hose | 11 | 1.5 |
| | 127167 | 2" x 10m coupled fuel hose | 11 | 2 |
| 24T254 | 2"x 15m coupled fuel hose | 11 | 2 | |
| Air/Water | 126359 | 1/2" x 30m coupled air/water hose | 20,6 | 1/2 |
| | 126360 | 3/4" x 23m coupled air/water hose | 20,6 | 3/4 |
| | 126361 | 3/4" x 30m coupled air/water hose | 20,6 | 3/4 |
| | 126362 | 1" x 15m coupled air/water hose | 20,6 | 1 |
| | 126363 | 1" x 23m coupled air/water hose | 20,6 | 1 |
| | 126364 | 1" x 30m coupled air/water hose | 20,6 | 1 |
| Oil | 126375 | 1/2" x 30m coupled oil hose | 138 | 1/2 |
| | 126376 | 3/4" x 23m coupled oil hose | 138 | 3/4 |
| | 126377 | 3/4" x 30m coupled oil hose | 103 | 3/4 |
| | 126503 | 1" x 15m coupled oil hose | 88 | 1 |
| | 126504 | 1" x 23m coupled oil hose | 88 | 1 |
| | 126505 | 1" x 30m coupled oil hose | 88 | 1 |
| Waste Oil Evac. | 126379 | 1" x 15m coupled waste oil evac hose | 17 | 1 |
| | 126688 | 1.25" x 15m coupled waste oil evac hose | 13,8 | 1.25 |
| | 126380 | 1.25" x 10,5m coupled waste oil evac hose | 13,8 | 1.25 |
| | 127173 | 1.5" x 15m coupled waste oil evac hose | 13,8 | 1 |



24T875



12/218



127219



127214



127221



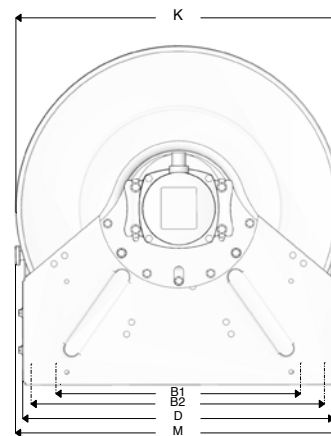
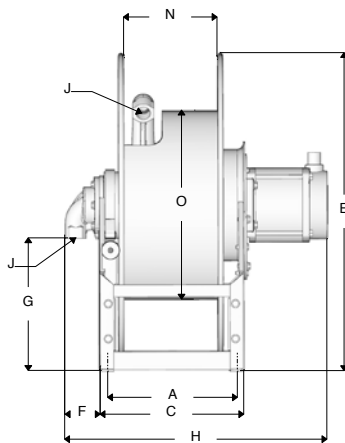
127222

Ordering Information

| BSPP/BSPT Conversion Kits | |
|---------------------------|---|
| 24T359 | BSPP Conversion Kit. To convert a 1" XD 60 or XD 80 reel from NPT to BSPP |
| 24T361 | BSPP Conversion Kit. To convert a 1" XD 70 reel from NPT to BSPP |
| 24T365 | BSPP Conversion Kit. To convert a 1.5" XD 70 from NPT to BSPP |
| 24T363 | BSPP Conversion Kit. To convert a 1.5" XD 80 from NPT to BSPP |
| 24T360 | BSPT Conversion Kit. To convert a 1" XD 60 or XD 80 reel from NPT to BSPT |
| 24T362 | BSPT Conversion Kit. To convert a 1" XD 70 reel from NPT to BSPT |
| 24T366 | BSPT Conversion Kit. To convert a 1.5" XD 70 from NPT to BSPT |
| 24T364 | BSPT Conversion Kit. To convert a 1.5" XD 80 from NPT to BSPT |
| 24T368 | BSPT Conversion Kit. To convert a 2" XD 70 from NPT to BSPT |
| 24T367 | BSPT Conversion Kit. To convert a 2" XD 80 from NPT to BSPT |

Technical Information

Dimensions



| Model | Power Source | A | B1 | B2 | C | D | E | F | G | H | J | K | M | N | O | P |
|---------|--------------|------|-----|-----|-----|-----|-----|-----|-----|-----|----------|-----|-----|-----|-----|----|
| | | (mm) | | | | | | | | | | | | | | |
| XD 6010 | Pneumatic | 265 | 565 | na | 300 | 610 | 663 | 71 | 277 | 519 | 1" npt | 635 | 660 | 198 | 394 | 11 |
| XD 6010 | Hydraulic | 265 | 565 | na | 300 | 610 | 663 | 71 | 277 | 400 | 1" npt | 635 | 660 | 198 | 394 | 11 |
| XD 6010 | Electric | 265 | 565 | na | 300 | 610 | 663 | 71 | 277 | 547 | 1" npt | 635 | 660 | 198 | 394 | 11 |
| XD 7010 | Pneumatic | 329 | 565 | na | 363 | 610 | 663 | 71 | 277 | 583 | 1" npt | 635 | 660 | 254 | 254 | 11 |
| XD 7010 | Hydraulic | 329 | 565 | na | 363 | 610 | 663 | 71 | 277 | 463 | 1" npt | 635 | 660 | 254 | 254 | 11 |
| XD 7010 | Electric | 329 | 565 | na | 363 | 610 | 663 | 71 | 277 | 611 | 1" npt | 635 | 660 | 254 | 254 | 11 |
| XD7015 | Pneumatic | 329 | 565 | na | 363 | 610 | 663 | 91 | 277 | 603 | 1.5" npt | 635 | 660 | 254 | 254 | 11 |
| XD7015 | Hydraulic | 329 | 565 | na | 363 | 610 | 663 | 91 | 277 | 483 | 1.5" npt | 635 | 660 | 254 | 254 | 11 |
| XD7015 | Electric | 329 | 565 | na | 363 | 610 | 663 | 91 | 277 | 631 | 1.5" npt | 635 | 660 | 254 | 254 | 11 |
| XD7020 | Pneumatic | 329 | 565 | na | 363 | 610 | 663 | 102 | 259 | 613 | 2" npt | 635 | 660 | 254 | 254 | 11 |
| XD7020 | Hydraulic | 329 | 565 | na | 363 | 610 | 663 | 102 | 259 | 493 | 2" npt | 635 | 660 | 254 | 254 | 11 |
| XD7020 | Electric | 329 | 565 | na | 363 | 610 | 663 | 102 | 259 | 641 | 2" npt | 635 | 660 | 254 | 254 | 11 |
| XD8010 | Pneumatic | 525 | 565 | 679 | 561 | 724 | 765 | 71 | 340 | 779 | 1" npt | 711 | 772 | 457 | 394 | 11 |
| XD8010 | Hydraulic | 525 | 565 | 679 | 561 | 724 | 765 | 71 | 340 | 659 | 1" npt | 711 | 772 | 457 | 394 | 11 |
| XD8010 | Electric | 525 | 565 | 679 | 561 | 724 | 765 | 71 | 340 | 807 | 1" npt | 711 | 772 | 457 | 394 | 11 |
| XD8015 | Pneumatic | 525 | 565 | 679 | 561 | 724 | 765 | 91 | 340 | 799 | 1.5" npt | 711 | 772 | 457 | 394 | 11 |
| XD8015 | Hydraulic | 525 | 565 | 679 | 561 | 724 | 765 | 91 | 340 | 679 | 1.5" npt | 711 | 772 | 457 | 394 | 11 |
| XD8015 | Electric | 525 | 565 | 679 | 561 | 724 | 765 | 91 | 340 | 827 | 1.5" npt | 711 | 772 | 457 | 394 | 11 |
| XD8020 | Pneumatic | 525 | 565 | 679 | 561 | 724 | 765 | 102 | 323 | 809 | 2" npt | 711 | 772 | 457 | 394 | 11 |
| XD8020 | Hydraulic | 525 | 565 | 679 | 561 | 724 | 765 | 102 | 323 | 689 | 2" npt | 711 | 772 | 457 | 394 | 11 |
| XD8020 | Electric | 525 | 565 | 679 | 561 | 724 | 765 | 102 | 323 | 837 | 2" npt | 711 | 772 | 457 | 394 | 11 |



ABOUT GRACO

Founded in 1926, Graco is a world leader in fluid handling systems and components. Graco products move, measure, control, dispense and apply a wide range of fluids and viscous materials used in vehicle lubrication, commercial and industrial settings.

The company's success is based on its unwavering commitment to technical excellence, world-class manufacturing and unparalleled customer service. Working closely with qualified distributors, Graco offers systems, products and technology that set the quality standard in a wide range of fluid handling solutions. Graco provides equipment for spray finishing, protective coating, paint circulation, lubrication, and dispensing sealants and adhesives, along with power application equipment for the contractor industry. Graco's ongoing investment in fluid management and control will continue to provide innovative solutions to a diverse global market.

GRACO LOCATIONS

MAILING ADDRESS

P.O. Box 1441
Minneapolis, MN 55440-1441
Tel: 612-623-6000
Fax: 612-623-6777

AMERICAS

MINNESOTA

Worldwide Headquarters
Graco Inc.
88-11th Avenue N.E.
Minneapolis, MN 55413

EUROPE

BELGIUM

European Headquarters
Graco BVBA
Industrieterrein-Oude Bunders
Slakweidestraat 31
3630 Maasmechelen,
Belgium
Tel: 32 89 770 700
Fax: 32 89 770 777

ASIA PACIFIC

AUSTRALIA

Graco Australia Pty Ltd.
Suite 17, 2 Enterprise Drive
Bundoora, Victoria 3083
Australia
Tel: 61 3 9468 8500
Fax: 61 3 9468 8599

CHINA

Graco Hong Kong Ltd.
Shanghai Representative Office
Building 7
1029 Zhongshan Road South
Huangpu District
Shanghai 200011
The People's Republic of China
Tel: 86 21 649 50088
Fax: 86 21 649 50077

INDIA

Graco Hong Kong Ltd.
India Liaison Office
Room 432, Augusta Point
Regus Business Centre 53
Golf Course Road
Gurgaon, Haryana
India 122001
Tel: 91 124 435 4208
Fax: 91 124 435 4001

JAPAN

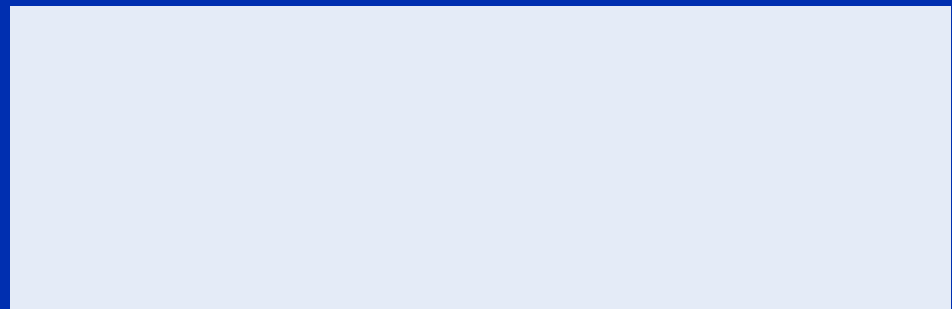
Graco K.K.
1-27-12 Hayabuchi
Tsuzuki-ku
Yokohama City, Japan 2240025
Tel: 81 45 593 7300
Fax: 81 45 593 7301

KOREA

Graco Korea Inc.
Shinhan Bank Building
4th Floor #1599
Gwanyang-Dong, Dongan-Ku,
Anyang-si, Korea 431-060
Tel: 82 31 476 9400
Fax: 82 31 476 9801

All written and visual data contained in this document are based on the latest product information available at the time of publication. Graco reserves the right to make changes at any time without notice.

Graco is certified ISO 9001.



Europe
+32 89 770 700
FAX +32 89 770 777
WWW.GRACO.COM

©2013 Graco BVBA 341045ENEU Rev. B 02/16

All other brand names or marks are used for identification purposes and are trademarks of their respective owners.